

P541

PIEDINO DI APPOGGIO IN ACCIAIO INTEGRALE CON STELO SNODATO TIPO A E SFERA 15 E ANTISCIVOLO

Materiali:

P541:

Base del piede in acciaio automatico tornito.

P541CIN:

Base del piede in acciaio inox (Aisi 303) tornito.

Superficie:

Liscia.

Colore:

Zincatura standard blue.

P541:

Inserti:

P541:

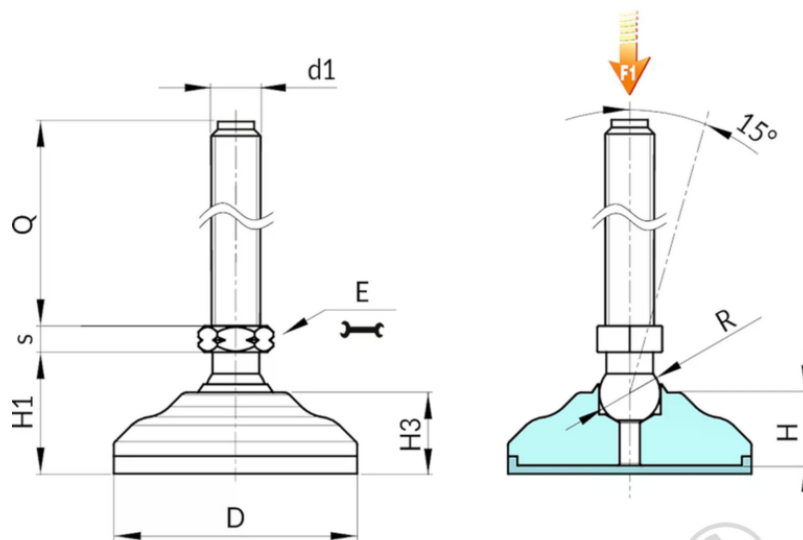
Fissaggio stelo:

Stelo non smontabile. La sfera non è toglibile in quanto il bordo della sede è stato ribattuto.

Base antiscivolo:

Base antiscivolo in gomma termoplastica TPV a 75 Shore, di colore nero RAL 9011.

Richieste speciali:



VARIANTI PRODOTTO

Codice	Art.	D	H	H1	H3	E	s	R	d16g	Q	g	F1_kN
P54140.0019	P54140.VZM12X50	40	15	26	17.5	16	6.5	15	M12	50	170	33
P54140.0020	P54140.VZM12X70	40	15	26	17.5	16	6.5	15	M12	70	183	33
P54140.0021	P54140.VZM12X90	40	15	26	17.5	16	6.5	15	M12	90	198	33
P54140.0022	P54140.VZM12X110	40	15	26	17.5	16	6.5	15	M12	110	214	33
P54140.0023	P54140.VZM14X50	40	15	26	17.5	16	6.5	15	M14	50	182	33
P54140.0024	P54140.VZM14X70	40	15	26	17.5	16	6.5	15	M14	70	202	33
P54140.0025	P54140.VZM14X90	40	15	26	17.5	16	6.5	15	M14	90	223	33
P54140.0026	P54140.VZM14X110	40	15	26	17.5	16	6.5	15	M14	110	240	33
P54140.0027	P54140.VZM14X130	40	15	26	17.5	16	6.5	15	M14	130	258	33
P54140.0028	P54140.VZM14X150	40	15	26	17.5	16	6.5	15	M14	150	274	33
P54140.0029	P54140.VZM16X50	40	15	26	17.5	16	6.5	15	M16	50	198	50
P54140.0030	P54140.VZM16X70	40	15	26	17.5	16	6.5	15	M16	70	224	50
P54140.0031	P54140.VZM16X90	40	15	26	17.5	16	6.5	15	M16	90	250	50
P54140.0032	P54140.VZM16X110	40	15	26	17.5	16	6.5	15	M16	110	275	50
P54140.0033	P54140.VZM16X130	40	15	26	17.5	16	6.5	15	M16	130	301	50
P54140.0034	P54140.VZM16X150	40	15	26	17.5	16	6.5	15	M16	150	326	50
P54140.0035	P54140.VZM16X170	40	15	26	17.5	16	6.5	15	M16	170	354	50
P54140.0036	P54140.VZM16X190	40	15	26	17.5	16	6.5	15	M16	190	377	50
P54150.0019	P54150.VZM12X50	50	17.5	29.5	20	16	6.5	15	M12	50	239	33
P54150.0022	P54150.VZM12X70	50	17.5	29.5	20	16	6.5	15	M12	70	252	33
P54150.0020	P54150.VZM12X90	50	17.5	29.5	20	16	6.5	15	M12	90	267	33
P54150.0021	P54150.VZM12X110	50	17.5	29.5	20	16	6.5	15	M12	110	283	33
P54150.0023	P54150.VZM14X50	50	17.5	29.5	20	16	6.5	15	M14	50	251	33
P54150.0024	P54150.VZM14X70	50	17.5	29.5	20	16	6.5	15	M14	70	271	33
P54150.0025	P54150.VZM14X90	50	17.5	29.5	20	16	6.5	15	M14	90	292	33
P54150.0026	P54150.VZM14X110	50	17.5	29.5	20	16	6.5	15	M14	110	309	33
P54150.0027	P54150.VZM14X130	50	17.5	29.5	20	16	6.5	15	M14	130	326	33
P54150.0028	P54150.VZM14X150	50	17.5	29.5	20	16	6.5	15	M14	150	343	33
P54150.0029	P54150.VZM16X50	50	17.5	29.5	20	16	6.5	15	M16	50	267	50
P54150.0030	P54150.VZM16X70	50	17.5	29.5	20	16	6.5	15	M16	70	293	50
P54150.0031	P54150.VZM16X90	50	17.5	29.5	20	16	6.5	15	M16	90	319	50
P54150.0032	P54150.VZM16X110	50	17.5	29.5	20	16	6.5	15	M16	110	344	50
P54150.0033	P54150.VZM16X130	50	17.5	29.5	20	16	6.5	15	M16	130	370	50
P54150.0034	P54150.VZM16X150	50	17.5	29.5	20	16	6.5	15	M16	150	395	50
P54150.0035	P54150.VZM16X170	50	17.5	29.5	20	16	6.5	15	M16	170	423	50
P54150.0036	P54150.VZM16X190	50	17.5	29.5	20	16	6.5	15	M16	190	446	50
P54160.0019	P54160.VZM12X50	60	19.5	32	22	16	6.5	15	M12	50	339	33
P54160.0020	P54160.VZM12X70	60	19.5	32	22	16	6.5	15	M12	70	352	33
P54160.0021	P54160.VZM12X90	60	19.5	32	22	16	6.5	15	M12	90	367	33

Codice	Art.	D	H	H1	H3	E	s	R	d16g	Q	g	F1_kN
P54160.0022	P54160.VZM12X110	60	19.5	32	22	16	6.5	15	M12	110	383	33
P54160.0023	P54160.VZM14X50	60	19.5	32	22	16	6.5	15	M14	50	351	33
P54160.0024	P54160.VZM14X70	60	19.5	32	22	16	6.5	15	M14	70	371	33
P54160.0025	P54160.VZM14X90	60	19.5	32	22	16	6.5	15	M14	90	392	33
P54160.0026	P54160.VZM14X110	60	19.5	32	22	16	6.5	15	M14	110	409	33
P54160.0027	P54160.VZM14X130	60	19.5	32	22	16	6.5	15	M14	130	426	33
P54160.0028	P54160.VZM14X150	60	19.5	32	22	16	6.5	15	M14	150	443	33
P54160.0029	P54160.VZM16X50	60	19.5	32	22	16	6.5	15	M16	50	367	50
P54160.0030	P54160.VZM16X70	60	19.5	32	22	16	6.5	15	M16	70	393	50
P54160.0031	P54160.VZM16X90	60	19.5	32	22	16	6.5	15	M16	90	419	50
P54160.0032	P54160.VZM16X110	60	19.5	32	22	16	6.5	15	M16	110	444	50
P54160.0033	P54160.VZM16X130	60	19.5	32	22	16	6.5	15	M16	130	470	50
P54160.0034	P54160.VZM16X150	60	19.5	32	22	16	6.5	15	M16	150	495	50
P54160.0035	P54160.VZM16X170	60	19.5	32	22	16	6.5	15	M16	170	523	50
P54160.0036	P54160.VZM16X190	60	19.5	32	22	16	6.5	15	M16	190	546	50